

Metso:Outotec

Wear parts fastening kit

Application

For C series
jaw crushers



Metso Outotec OEM fastening parts are easy to use and backed by our quality and years of improvements to supply the best fit.

Our OEM fastening parts consistently provide the proper strength to keep wear parts continuously working for maximum production.



Available parts

- Jaw mounting fastening package

Quality

Metso Outotec works with quality suppliers to ensure our high standards and strict tolerances are met.

Efficiency

We have identified the important spares to have available for wear part changes. Ease of assembly and disassembly of the main components contribute for reduced downtime.

Safety

To achieve unsurpassed safety, carefully selected materials are used to ensure safety standards are not compromised.

Benefits

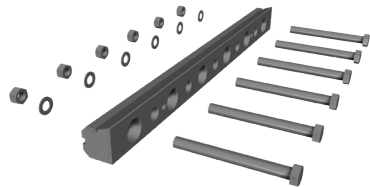
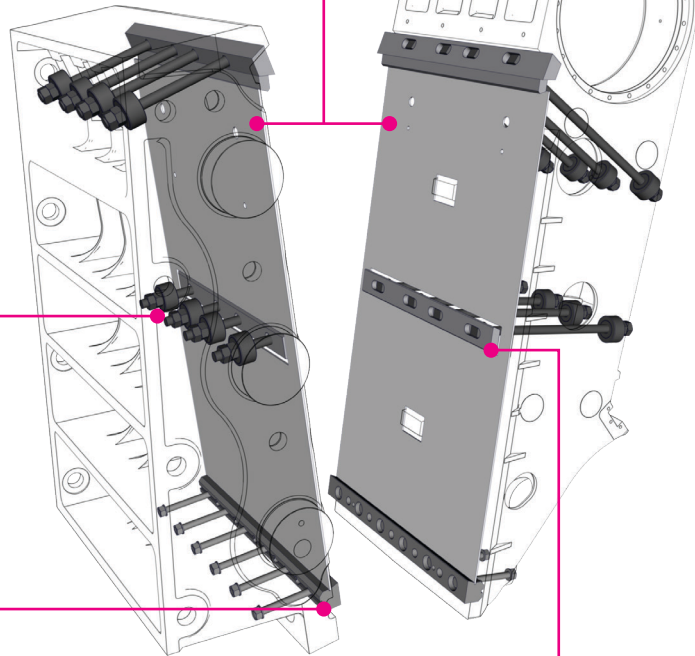
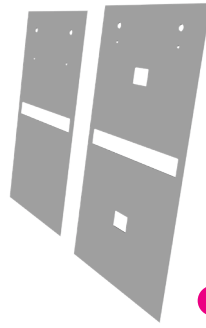
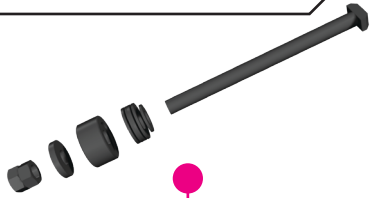
- 100 years of equipment expertise
- High kit availability through our global distribution centers
- Maximize production time by reducing unplanned stoppages
- Minimize costs as kits contain the key parts needed

Hammer screws, springs etc*

- Rubber plates
- Spring casings
- Washer
- Cup springs
- Hammer screws
- Hexagonal nuts

Protection Plates

- Protection plates
- Plate fasteners



Fastening items (lower wedges)*

- Fastening items
- Hexagonal bolts
- Plain washers
- Hexagonal nuts



Wedges*

- Tightening wedges
- Fill wedges
- Mounting wedges

(*) Parts and quantities in each package may vary between different machine sizes. For further information, please contact your nearest Metso Outotec representative.

www.mogroup.com

Specifications in this document are subject to change without notice. Product names in this publication are all trademarks of Metso Outotec Corporation.